



MODELS

KSC-3090S

KSC-3090ST

KSC-4125S

KSC-4125ST

KSC-5185S

KSC-5185ST

KSC-6210S

KSC-6210ST

KSC IV STEAM SERIES 4
OIL-FIRED CAST IRON BOILER

PARTS AND
OPTIONAL ACCESSORIES

Ordering Instructions

Order Parts through your nearest supplier.

When ordering parts, obtain Model Number and Serial Number from data plate on your boiler.

Include following information when ordering.

Part Number _____

Part Description _____

Boiler Model Number _____

Boiler Serial Number _____



An ISO 9001-2008 Certified Company

Manufactured by:

ECR International, Inc.

2201 Dwyer Avenue,

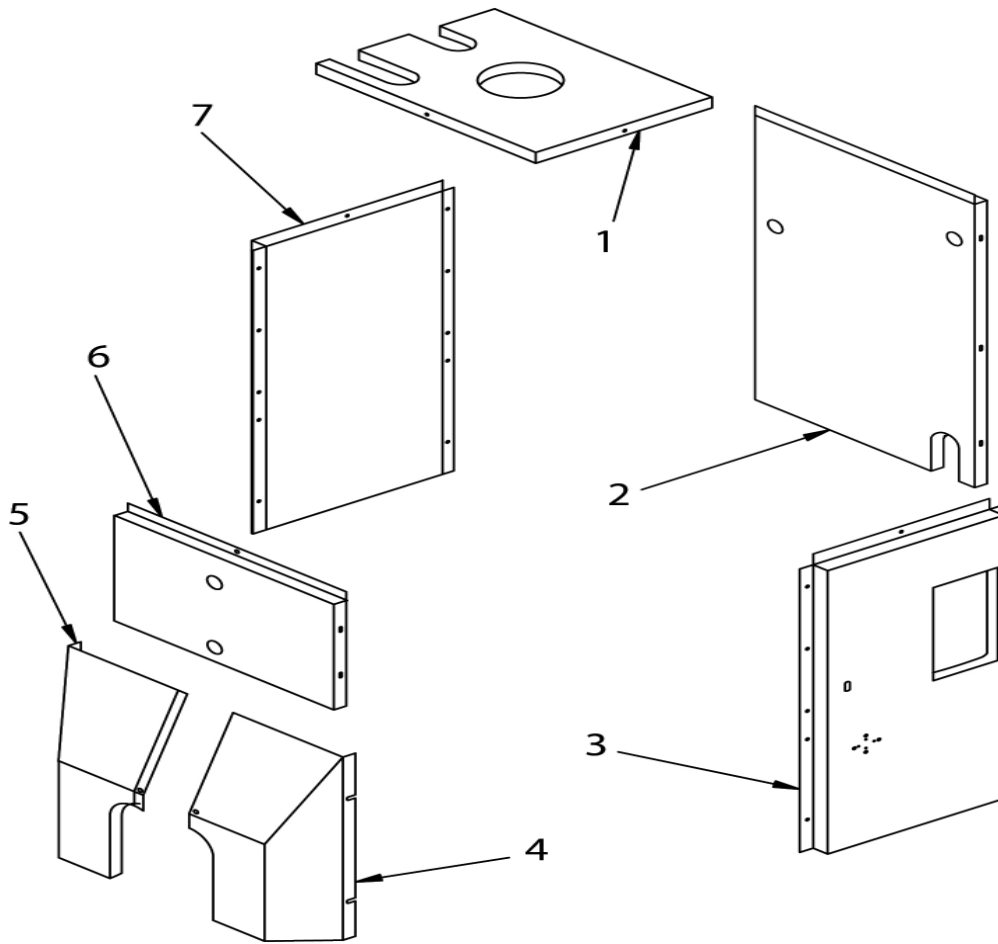
Utica NY 13501

web site: www.ecrinternational.com

P/N 240009809, Rev. C [05/2013]

REPLACEMENT PARTS

JACKETS

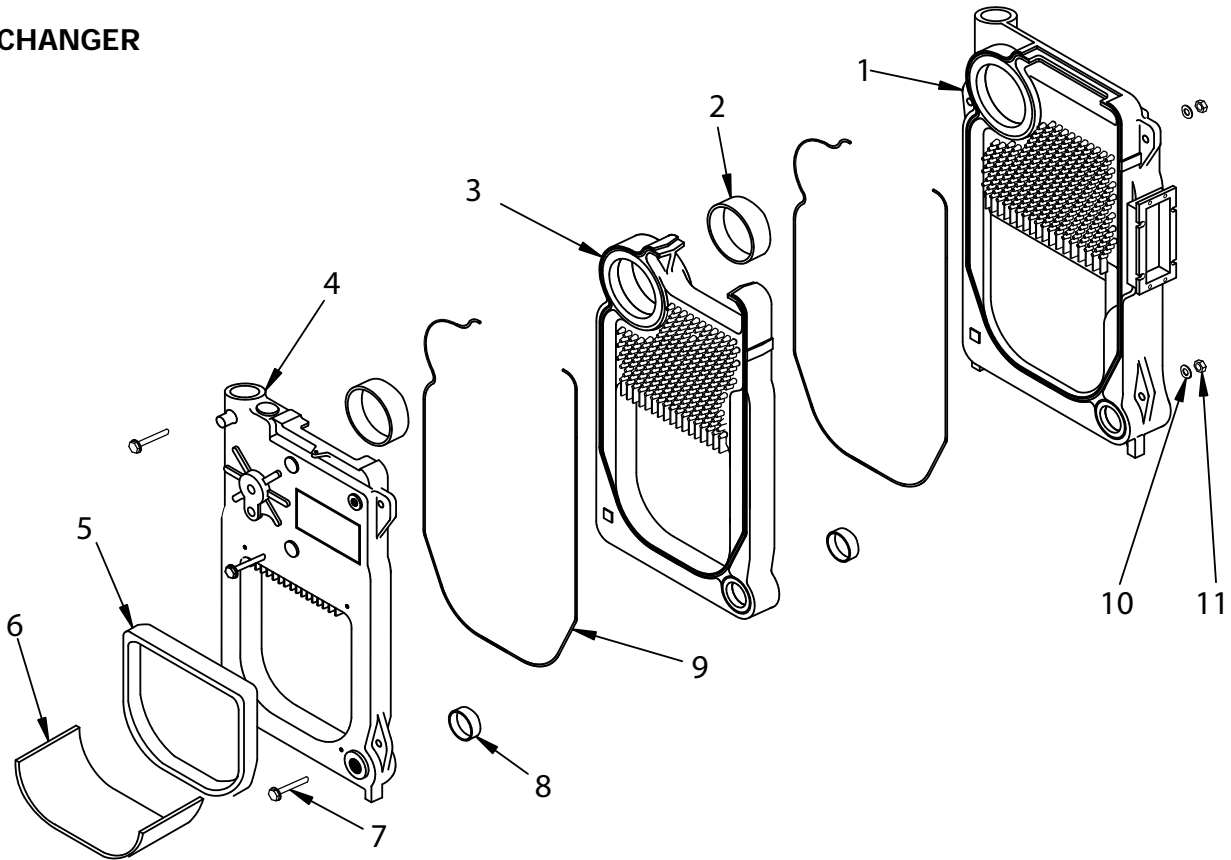


ITEM	DESCRIPTION	MODEL
		CSFE
		PART #
1	Top Panel - 3 Sec.	21522801
	Top Panel - 4 Sec.	21522802
	Top Panel - 5 Sec.	21522803
	Top Panel - 6 Sec.	21522806
2	Rear Panel	21521501
3	Right Side Panel - 3 Sec.	21523101
	Right Side Panel - 4 Sec.	21523102
	Right Side Panel - 5 Sec.	21523103
	Right Side Panel - 6 Sec.	21523104
4	Lower Cowl - Right	21524401C
5	Lower Cowl - Left	21524301C
6	Top Front Panel	21524101
7	Left Side Panel - 3 Sec.	21521803
	Left Side Panel - 4 Sec.	21521804
	Left Side Panel - 5 Sec.	21521805
	Left Side Panel - 6 Sec.	21521806
Not Shown	*Jacket Replacement Kit - 3 Sec.	3001487C
	*Jacket Replacement Kit - 4 Sec.	3001488C
	*Jacket Replacement Kit - 5 Sec.	3001489C
	*Jacket Replacement Kit - 6 Sec.	3001490C

* Items 4 and 5 must be ordered to receive full jacket set

REPLACEMENT PARTS

HEAT EXCHANGER

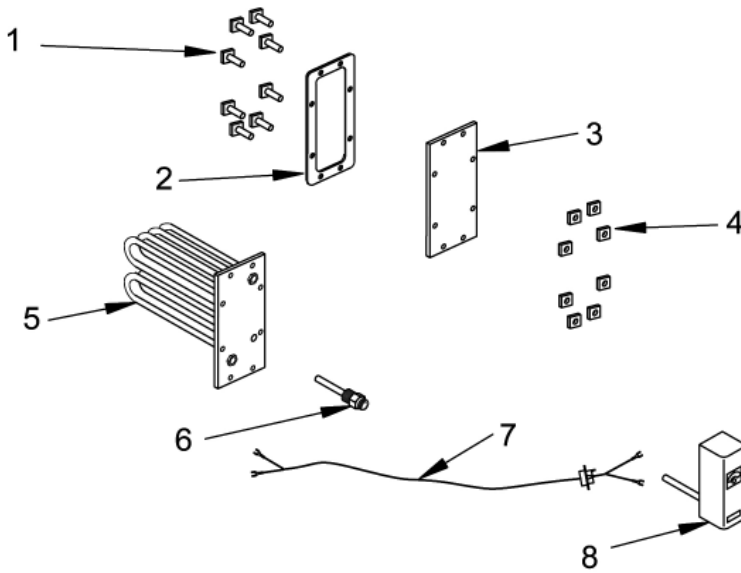


ITEM	PART NO.	DESCRIPTION	QTY
1	100-5-10.01	Rear Section	1
2	100-1-8.01	#60 Push Nipple - 3 Sec.	2
		#60 Push Nipple - 4 Sec.	3
		#60 Push Nipple - 5 Sec.	4
		#60 Push Nipple - 6 Sec.	5
		Center Section - 3 Sec.	1
3	902000009	Center Section - 4 Sec.	2
		Center Section - 5 Sec.	3
		Center Section - 6 Sec.	4
		Front Section Castover	1
5611508		Kit - Target Wall & Insulation Blanket	
Kit Includes #5 and #6			
5	2552701	Target Wall - Pyrolite	1
6	25511005	Insul Blanket 16x24	1
7	HW-025.05	Tie Rod ½ x 9 - 3 Sec.	3
	HW-025.01	Tie Rod ½ x 12½ - 4 Sec.	
	HW-025.02	Tie Rod ½ x 16½ - 5 Sec.	
	HW-025.03	Tie Rod ½ x 20½ - 6 Sec.	
8	100-1-5.01	#22 Push Nipple - 3 Sec.	2
		#22 Push Nipple - 4 Sec.	3
		#22 Push Nipple - 5 Sec.	4
9	3002172	Rope, Med. Density - 3 Sec.	2
		Rope, Med. Density - 4 Sec.	3
		Rope, Med. Density - 5 Sec.	4
		Rope, Med. Density - 6 Sec.	5
10	HW-008.03	Washer ½ ID Flat	3
11	HW-003.05	Nut ½ -13 Hex Head	3

FULLY ASSEMBLED HEAT EXCHANGERS	
550002714	3 Section Without Coil
550002715	4 Section Without Coil
550002716	5 Section Without Coil
550002717	6 Section Without Coil
550002723	3 Section With Tankless Coil
550002724	4 Section With Tankless Coil
550002725	5 Section With Tankless Coil
550002726	6 Section With Tankless Coil

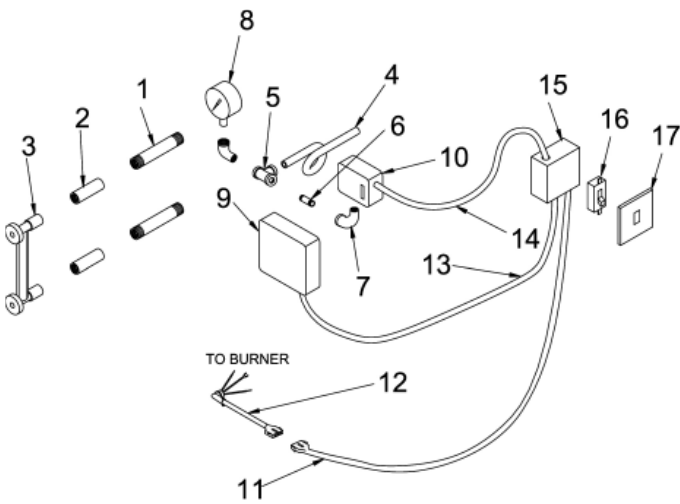
REPLACEMENT PARTS

COIL AND COVER PLATE



ITEM	PART NO.	DESCRIPTION	QTY.
1	HW-012.02	Bolt - 7/16 -14 x 1 1/2 Square Head	8
2	252-2-2.00	Gasket - B Tankless	1
3	202-2-1.00	Cover Plate - B Tankless Coil	1
4	HW-013.01	Nut 7/16 - 14 Square	8
5	240009733	Tankless Coil L - 24	1
6	1635001	Well 3/4 x 1 1/2 - 123870A	1
7	275-1-1.00	Harness (3-5 sec.)	1
	27513301	Harness (6sec.)	
8	AQ-008.00	Control - L4006A1827	1

CONTROLS AND HARDWARE

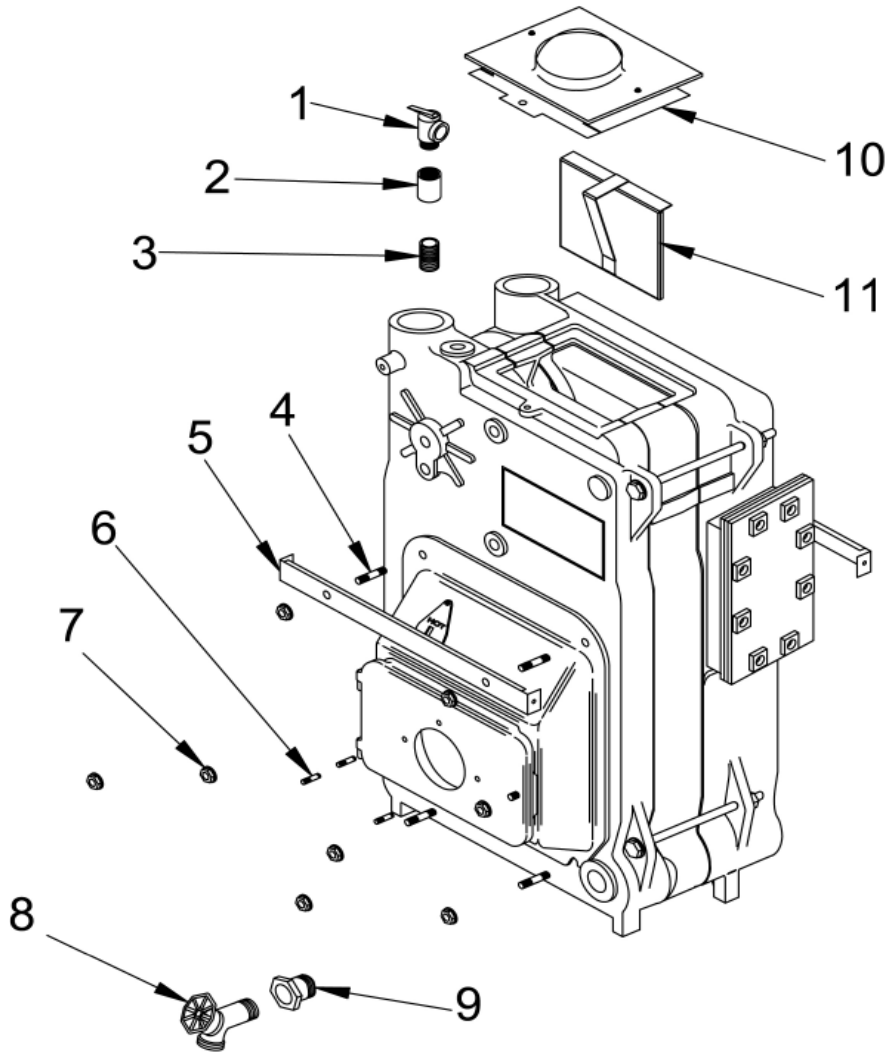


ITEM	PART NO.	DESCRIPTION	QTY
1	PF-033.02	NPL,1/2x4NPT,BRS	2
2	14693052	CPLG,BRS,1/2	2
3	GA-004.00	GAUGE WATER LEVEL	1
4	240007394	BRASS,SIPHON,OFF CENTER,LOOP,62208	1
5	14693057	TEE BRASS 1/4"	1
6	240007412	PIPE,BRASS,1/4"x3"	1
7	240007411	ELB,BRASS,1/4",90,STREET	2
8	GA-003.00	GAUGE PRESSURE (STEAM)	1
9	240007160	ELWCO,CG450-P-2060,CYCLE GUARD	1
10	SS-001.01	PRESSURE SWITCH PA404A-1009	1
11	1263012	HARN,J-BOX,22"	1
12	240007187	HARN,BRNR,STEAM, BECKETT	1
13	240007161	HARN,ELWCO	1
14	28511201	HARNESS PRESSURE SWITCH 30"	1
15	14631316	BOX,ELEC,4"x2.1/8",CSA	1
16	240007282	SW,TOGGLE	1
17	240007281	J BOX,TOGGLE,COVER,4"x4"	1

* This includes MLWCO #2, 4, 5, 7, 8, 9, & 10

REPLACEMENT PARTS

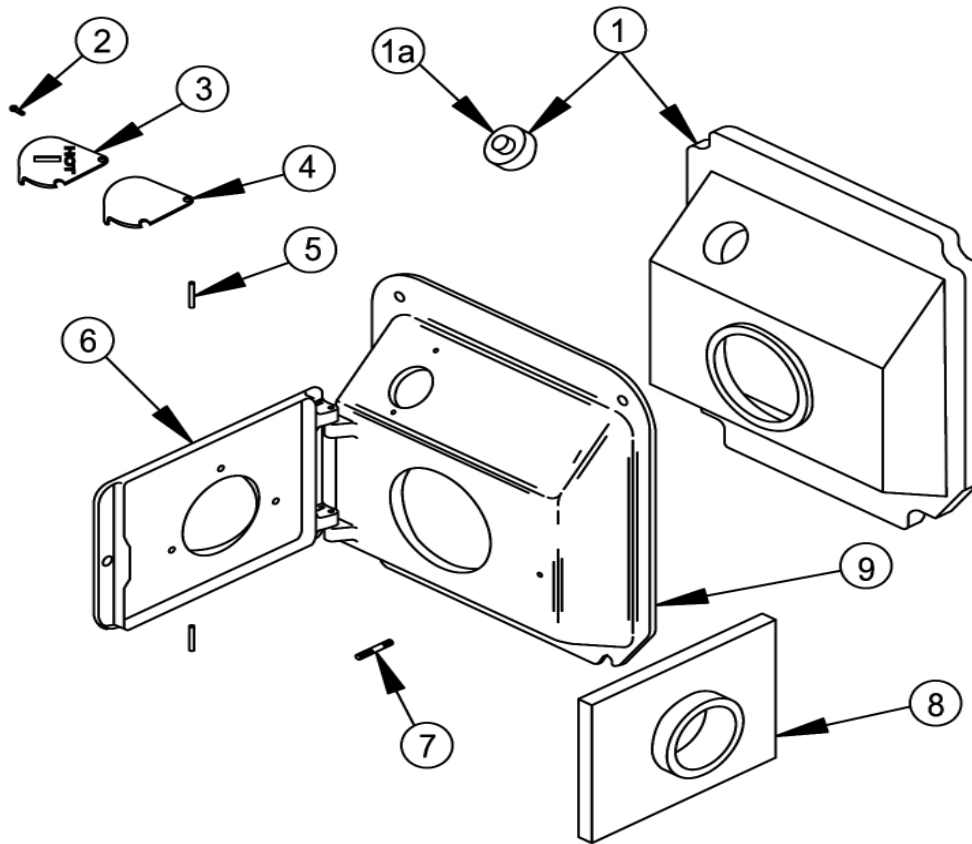
HARDWARE



ITEM	PART NO.	DESCRIPTION	QTY
1	1570001	Safety Valve #15 ¾"	1
2	1150001	Pipe Fit Coupling ¾"	1
3	1310004	Pipe Fit Npl ¾ Close	1
4	HW06701	Stud 5/16" - 18 x 2 3/8"	4
5	2252501	Support - Jacket Brkt	2
6	HW07001	Stud 5/16" x 18 x 1 3/8"	3
7	1330001	Nut 5/16" - 18 Wislock	8
8	240009323	Drain Valve	1
9	1060003	Pipe Fit Bushing 1 ¼ x ¾"	1
10	2452906	Flue Collector - 3 Sec.	1
	2452902	Flue Collector - 4 Sec.	
	2452903	Flue Collector - 5 Sec.	
	2452907	Flue Collector - 6 Sec.	
11	109007327	Baffle, Assy, H/E, Rear	1

REPLACEMENT PARTS

SWING DOOR AND MOUNTING DOOR COMPONENTS



ITEM	PART NO.	DESCRIPTION	QTY
1	2552901	Mounting Door Insulation & Plug	1
1a	2551901	Door Plug Replacement	1
2	HW-005.01	Screw ¼ - 20 x ½ Self-Tapping	2
3	10011701	Observation Door	1
4	25511101	Obs. Door Gasket	1
5	HW06801	¼ x 1¾ Drive Lock Pin	2
6	10011501	Swing Door	1
7	HW06701	⁵ / ₁₆ x 18 x 2 ³ / ₈ Stud	1
8	2553303	Insulation - Swing Door	1
9	10011301	Mounting Door	1
Not Shown	10011601	Cast Iron Mtg/Swing Dr Mach. Includes Item 2,3,4,5,6,7 & 9	1

REPLACEMENT PARTS

BURNER COMPONENTS

ITEM	PART NO.	DESCRIPTION	QTY
1	240009823	BRNR,BECK,AFG CSFE-3090	1
	240009929	BRNR,BECK,AFG CSFE-4125	
	240009930	BRNR,BECK,AFG CSFE-5185	
	240009931	BRNR,BECK,AFG CSFE-6210	
2	1250002	BURNER OIL FLANGE GASKET #3616	1
3	CD-001.01	CAD CELL (FOR BOILERS W/ BECKETT BURNERS ONLY)	1
4	240008816	CONTROL 7505B1500 (FOR BOILERS W/ BECKETT BURNERS ONLY)	1
5	14619244	Nozzle, 0.75-60°B CSFE-3090 Beckett	1
	1320024	Nozzle, 1.10-60°B CSFE-4125 Beckett	
	1320001	Nozzle, 1.50-70°B CSFE-5185 Beckett	
	14619019	Nozzle, 1.75-70°B CSFE-6210 Beckett	

BURNER COMPONENTS (BECKETT BURNERS ONLY)

AFG BURNER PARTS	
PART NO.	DESCRIPTION
RP03801	Blast Tube AFG
29688	Fuel Pump, 1 Stage, 140 PSI, AFG 21849040
1250002	Burner Gasket
1050008	Motor
1050007	Transformer



PENNCO BOILERS
2201 Dwyer Avenue, Utica NY 13501
web site: www.ecrinternational.com