



## Cast Iron Boilers

### KEYSTONE STEAM II-KSC Oil Fired Steam Boilers

The Keystone Steam II-KSC oil-fired steam boiler now offers improved efficiency and reliability with a re-designed heat exchanger, a protective heat shield baffle and an electronic low water cut-off.

#### SYSTEM FEATURES

- **New Patent Pending Design** – With efficiencies up to 85% AFUE, the ENERGY STAR rated Keystone Steam II-KSC optimizes your fuel dollars through a newly re-designed heat exchanger and patent pending protective heat shield baffle. The modified pin deck and baffle design enhance the heat transfer process and protect the casting from poor water conditions for added longevity.



Heat Shield Baffle

- **Electronic Low Water Cut-Off** – An electronic low water cut-off replaces the former mechanical design. The electronic low water cut-off does not require flushing which reduces the make-up water. The electronic low water cut-off also maintains tighter control of water level variation.
- **Cast-Iron Sections & Push Nipples** – The Keystone Steam II-KSC utilizes durable and efficient cast-iron sections and push nipples. The highest quality cast-iron and latest heat transfer design allows the Keystone Steam II-KSC to provide many years of efficient, trouble-free operation.
- **Easy Access & Maintenance** – A sturdy cast-iron swing door allows for quick and easy inspection of the oil burner and combustion area while extra large flue ways allow for easy cleaning and set-ups. The flue way openings are easily accessed through an integrated two-part draft hood. All components are easy to reach, greatly reducing the time spent on regular maintenance and service calls.

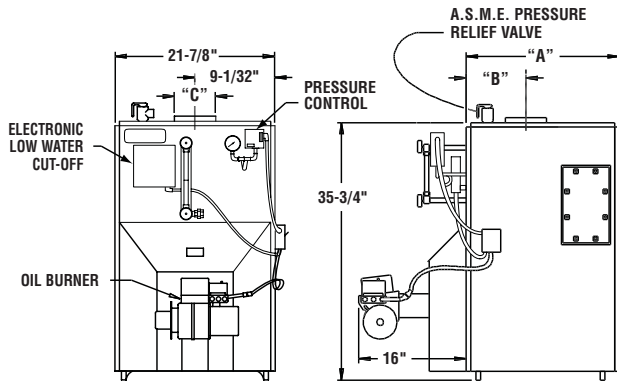


# KEYSTONE STEAM II-KSC OIL-FIRED STEAM BOILERS

## Ratings and Data

BOILER MODEL NUMBER <sup>1</sup>	I = B = R OIL BURNER INPUT <sup>2</sup>		D.O.E. HEATING CAPACITY MBH <sup>4</sup>	I = B = R NET RATINGS <sup>3,4</sup>		PUMP PRESS. PSI	NOZZLE FURNISHED 140 PSIG <sup>5</sup>	A.F.U.E. RATING
	G.P.H.	MBH <sup>4</sup>		STEAM MBH	SQ. FT. STEAM			
*KSC0365	0.65	91	79	59	246	140	.60 80°B	85.00
KSC3100	1.00	140	116	87	363	140	.85 80°B	81.50
*KSC4100	1.00	140	120	91	377	140	.85 80°B	85.00
KSC4125	1.25	175	145	109	454	140	1.10 80°B	82.50
KSC4150	1.50	210	170	128	533	140	1.25 80°B	81.00
KSC5175	1.75	245	202	152	633	140	1.50 80°B H	83.00
KSC5200	2.00	280	227	170	708	140	1.75 70°B H	82.00
KSC6225	2.25	315	251	188	783	140	2.00 45°B	—
KSC7275	2.75	385	307	230	958	140	2.25 45°B	—

\* Indicates an ENERGY STAR efficient product.



### EXPLANATION NOTES:

1. Add suffix "T" to denote boiler with tankless heater.
2. I=B=R burner capacity is based on an oil heating value of 140,000 Btu/gal. and with 13% CO<sub>2</sub>.
3. Net ratings based on 170°F temperature in radiators and include 33% allowance for normal piping and pick-up load. Consult manufacturer for unusual piping and pick-up requirements.
4. For altitudes above 2,000 ft., ratings may be reduced at the rate of 4% for every 1,000 ft. above sea level.
5. Nozzle sizes with an H designation are Hago brand, all others are Delevan.
6. The electrical service is 120 Volts, 15 Amps, 60 Hz.
7. The MEA number for the Keystone Steam II-KSC is 182-86E.

## Dimensions

BOILER MODEL NO.	A LENGTH OF FLUSH JACKET	B FRONT OF JACKET TO C/L OF FLUE OUTLET	C DIAMETER OF FLUE OUTLET
KSC-3S	16 <sup>5</sup> / <sub>8</sub>	6 <sup>1</sup> / <sub>2</sub>	6
KSC-4S	20 <sup>1</sup> / <sub>4</sub>	8 <sup>1</sup> / <sub>2</sub>	6
KSC-5S	23 <sup>5</sup> / <sub>8</sub>	10 <sup>1</sup> / <sub>4</sub>	7
KSC-6S	27 <sup>1</sup> / <sub>2</sub>	8 <sup>5</sup> / <sub>8</sub>	8
KSC-7S	31 <sup>1</sup> / <sub>8</sub>	8 <sup>5</sup> / <sub>8</sub>	8

## Tankless Water Heater Capacities

BOILER MODEL NUMBER	TANKLESS HEATER NUMBER	TANKLESS HEATER CAPACITY INTERMITTENT DRAW G.P.M.	BOILER WATER CONTENT GALS.
KSC0365	L-24	Available on Request	11
KSC3100	L-24	4.5	11
KSC4100	L-24	4.5	13
KSC4125	L-24	4.5	13
KSC4150	L-24	4.5	13
KSC5175	L-24	5.0	15
KSC5200	L-24	5.0	15
KSC6225	L-24	5.0	17
KSC7275	L-24	5.0	19

## KSC Standard Equipment

- Crated Cast-Iron Boiler
- Flush Jacket
- Swing-Out Burner Door
- Clean Cut Beckett Burner
- Target Wall/Liner
- ASME Relief Valve
- Water Level Gauge
- Steam Pressure Gauge
- Steam Pressure Control
- Electronic Low Water Cut-Off
- Drain Valve
- Wiring Harness
- Burner Electric Disconnect
- Plastic Cover
- Supply Tappings (Qty. 2 - 2")
- Return Tapping - 1-1/2"
- Skim Port
- For Tankless Heater Units:  
Add Tankless Hot Water Coil and Limit Control



2201 Dwyer Ave., Utica, NY 13501  
E-mail: info@ecrinternational.com



Tested for  
15 lbs. ASME  
Working  
Pressure

An **ECR** International Brand  
An ISO 9001-2000 Certified Company

Phone: 315-797-1310 • Fax: 866-432-7329  
Web: www.pennco boilers.com

USA Contractor Assistance: 800-325-5479

PN 240004963 REV 6/08